

## NEW RANGE

<b>PREVIOUS VERSIONS</b>		<b>FVW 13-74 FLOYD</b>	<b>FIW 13-74</b>			
	1,3- 7,3 kW AC and EC motors	1,3- 7,3 kW AC and EC motors	1,3- 7,3 kW AC and EC motors	2,4-11 kW AC and EC motors	4,6-20 kW AC and EC motors	
<b>NEW RANGE</b>		<b>VXM 123-614</b>	<b>VXI 123-614</b>			
	1,4-8,4 kW AC and EC motors	1,4-8,4 kW AC and EC motors	1,4-8,4 kW AC and EC motors	2,5-11 kW AC and EC motors	6-22 kW AC and EC motors	

# VXM and VXI Fan Coil units





  
**CLINT**<sup>®</sup>  
CLIMATIZZAZIONE INTEGRATA

# NEW TERMINAL UNITS RANGE



PRODUCTS	CURRENT RANGE	NEW RANGE
FAN-COIL WITH CABINET	FVW	VXM
BUILT-IN FAN-COIL	FIW	VXI
WATER CASSETTE	TCW	TXW
DUCTABLE UNITS	UTW	DWX

	CURRENT RANGE	NEW RANGE
		
<b>Description</b>	FAN COIL UNITS WITH CABINET AND FOR BUILT-IN INSTALLATION WITH 3-SPEED OR EC INVERTER CENTRIFUGAL FANS.	FAN COIL UNITS WITH CABINET AND FOR BUILT-IN INSTALLATIONS WITH 6-SPEED OR EC INVERTER CENTRIFUGAL FANS.
<b>Name</b>	<b>FVW/FIW</b>	<b>VMX /VXI</b>
<b>Sizes number</b>		
2 Pipe (AC/EC)	14	12
4 Pipe (AC/EC)	14	12
Cooling capacity (kW)	1.3-7.3	1.4-8.4
<b>AC version with cabinet</b>		
Vertical unit with bottom inlet and vertical delivery	FVW/VP	VXM/VP
Vertical unit with front inlet and vertical delivery	FVW/VH	VXM/VH
Horizontal unit with rear inlet and horizontal delivery	FVW/VE	VXM/VE
Horizontal unit with bottom inlet and horizontal delivery	FVW/VO	VXM/VO
<b>AC version built-in</b>		
Vertical unit with bottom inlet and vertical delivery	FIW/IV	VXI/IV
Vertical unit with front inlet and vertical delivery	FIW/IF	VXI/IF
Horizontal unit with rear inlet and horizontal delivery	FIW/IO	VXI/IO
Horizontal unit with bottom inlet and horizontal delivery	FIW/II	VXI/II

**FAN COIL WITH CABINET: NEW SIZES**

<b>Cooling</b>	<b>Cooling Capacity (kW)</b>	1,4	1,6	2,0	2,4	3,2	3,7	4,7	5,2	5,8	6,3	7,1	8,4
<b>NEW SIZES</b>	<b>AC (2 Pipe/4 Pipe) EC (2 Pipe/4 Pipe)</b>	<b>123</b>	<b>124</b>	<b>233</b>	<b>234</b>	<b>343</b>	<b>344</b>	<b>463</b>	<b>464</b>	<b>573</b>	<b>574</b>	<b>613</b>	<b>614</b>

## FAN COIL UNITS WITH CABINET AND 6-SPEED OR EC INVERTER CENTRIFUGAL FANS

- Modern styled cabinet with smoothed outline to perfectly match with any interior decoration. Standard white colour (similar to RAL9010/9003). Made of thick steel-sheet, galvanized and finished by a polyvinyl chloride film to make it resistant to rust, corrosion and chemical agents. Bearing structure made of galvanized steel-sheet with internal thermal-acoustic insulation.
- Air delivery grill by fixed fins made of grey ABS adjustable on 2 positions (air flow can be reversed rotating grill by 180°) equipped with small sliding side doors for easily access to the internal control panel.
- Drain pan provided with condensation drain and thermal insulation.
- Coil made of copper pipes and aluminum fins, with coil connections provided with anti-torsion system, manual air vent and water drain valves.
- Universal connecting terminal (mounted for horizontal versions, loose accessory for vertical versions).
- Air filter easy to remove and to wash, made of a metal frame holding filtering section.
- Fan section based on centrifugal fans with double air inlet and last generation plastic blades, directly coupled to the 6-speed electric motor with 3 speeds connected in the standard configuration.
- Fan section based on centrifugal fans with double air inlet and last generation plastic blades, directly coupled to the EC inverter electronic motor. Modulating regulation with 0-10Vdc signal with control panels provided as accessory or with independent regulation system.

### EC INVERTER FAN



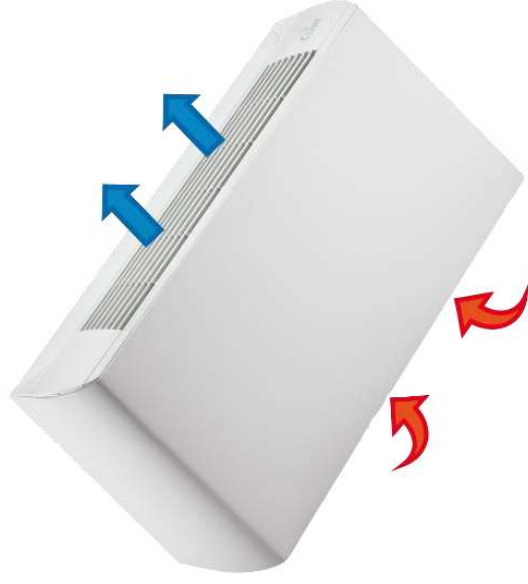
**VP** - Vertical unit with bottom inlet and vertical delivery



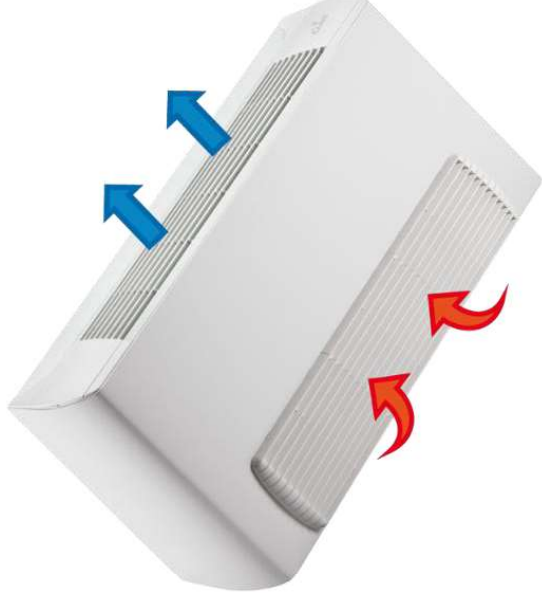
**VH** - Vertical unit with front inlet and vertical delivery



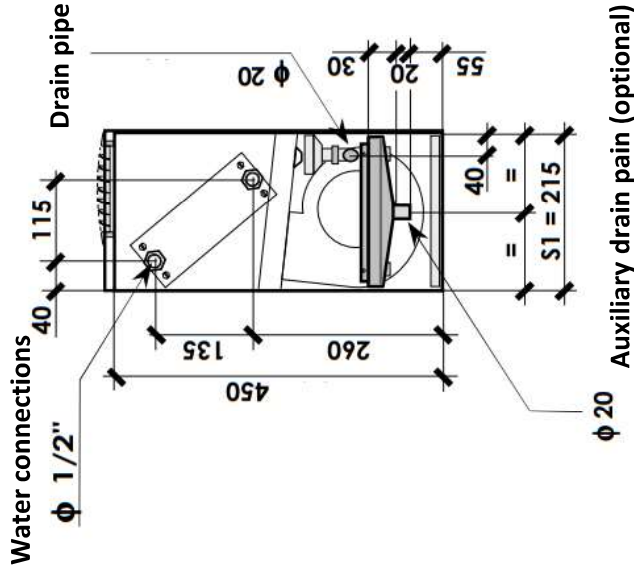
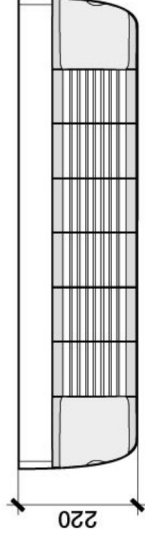
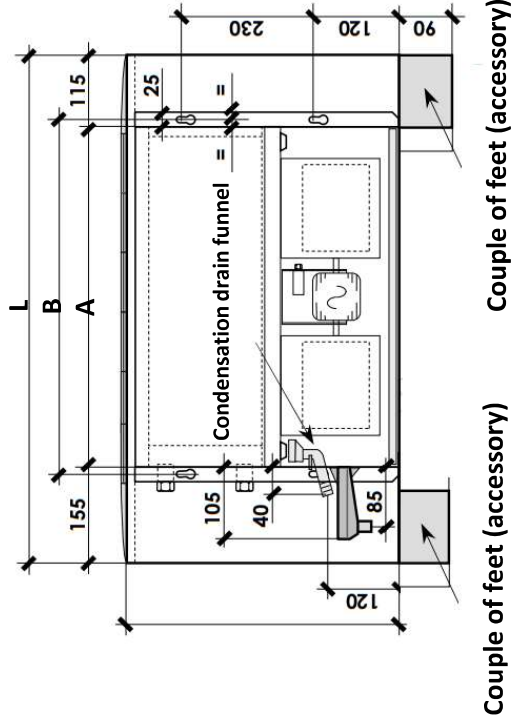
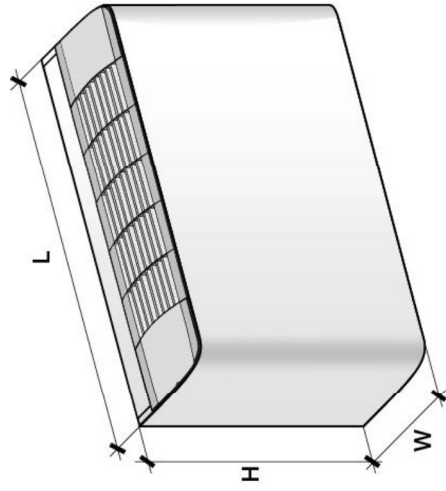
**VE** - Horizontal unit with rear inlet and horizontal delivery



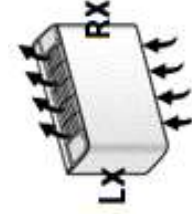
**VO** - Horizontal unit with bottom inlet and horizontal delivery



# VXM 123÷614: DIMENSIONS



DIMENSIONS		10	20	30	40	50	60	70	80	90	100	110	120
L	STD/EC mm	670	670	870	870	1070	1070	1270	1270	1470	1470	1670	1670
W	STD/EC mm	220	220	220	220	220	220	220	220	220	220	220	220
H	STD/EC mm	470	470	470	470	470	470	470	470	470	470	470	470
A	STD/EC mm	400	400	600	600	800	800	1000	1000	1200	1200	1400	1400
B	STD/EC mm	425	425	625	625	825	825	1025	1025	1225	1225	1425	1425



Standard hydraulic connections on the left facing the front of the unit. On site reversibility.



## AIR FLOW, ORIENTATION AND INCLINATION OF THE DELIVERY GRID FINS

Delivery grids in ABS: 2 orientations of the grids are possible

